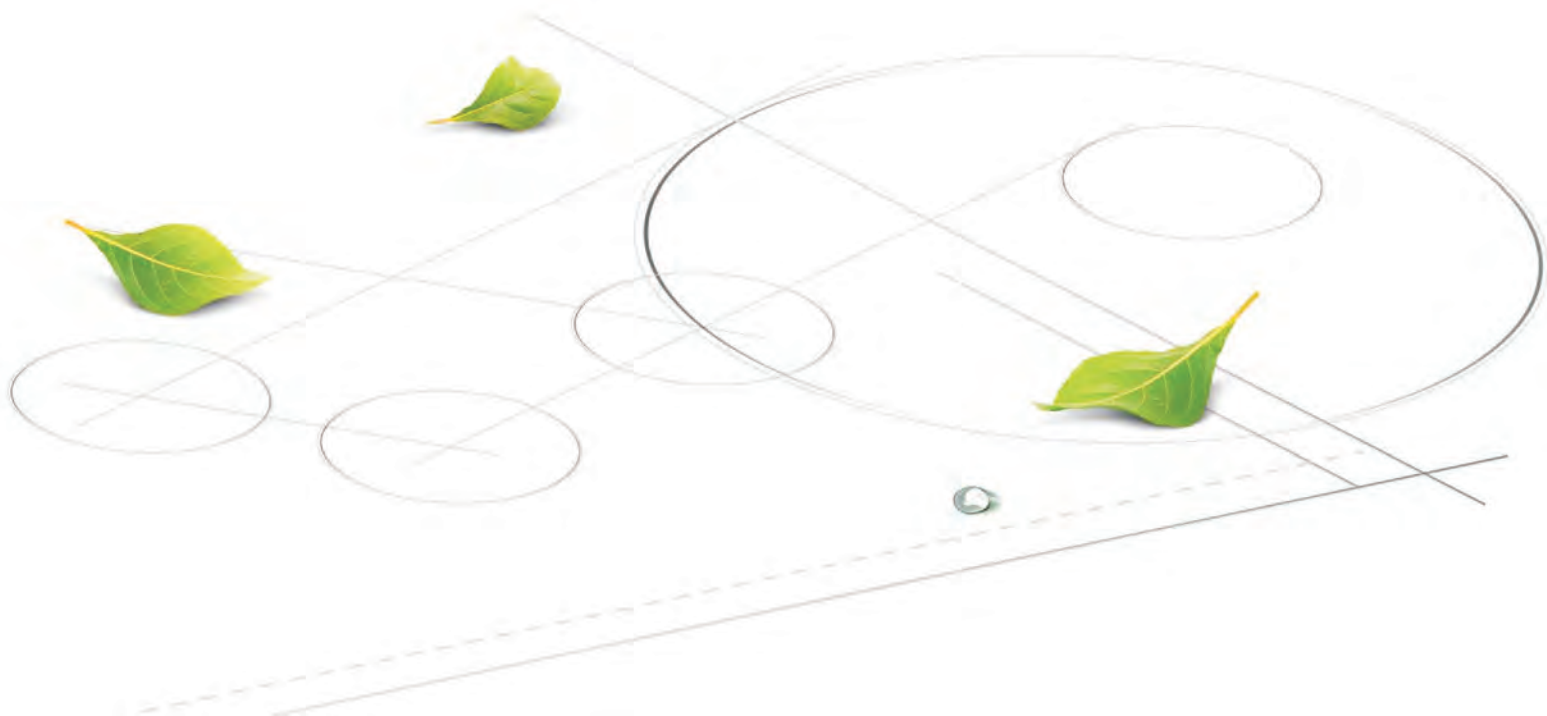


International Expert for Inverters





Profile

B&B Power Co., Ltd, established in 1994, is a professional corporation specialized in the research, manufacture and sales of high-quality PV inverters. Besides, we also provide services like project consulting, system designing, and technical support etc.

B&B Power is an international enterprise with headquarter in Zhejiang, R&D center in Shenzhen, sales and service branches in Shanghai, Shenyang, Xinjiang and Germany etc, covering more than 20 countries and regions.

B&B Power, as a knowledge-based enterprise, has a R&D team of industry elite which always adhere to the technological development and innovation. In the past, our R&D team has already completed and declared more than 100 patents on our product and related technology.

B&B Power believes in that quality is the life for any enterprise. With its advanced measurement instruments and test equipment, we strive to submit high quality products with international ISO9001 system. We also gain many industry related certificates like CE, TUV and SAA etc. All in all, solid and strong scientific and technological strength, as well as strict quality control system would provide reliability for the quality and performance of our products.

B&B Power, as a customer-focused enterprise, has an outstanding service system. Our global service center provides customers with professional, prompt and sustained pre-sale, sale and after-sale services. Meanwhile, we offer customized service as well. We strive to be international expert for PV inverters.



Products

I. On-grid PV Inverters

SolarFamily Series

SF1600TL/2200TL/3000TL 03

SF3600TL/4200TL/4600TL 05

SolarTown Series

ST10000TL/12000TL/15000TL/17000TL 07

SolarCity Series

SC100KT/250KTL/500KTL 09

II. Off-grid PV Inverters

SO 500W/1000W/2000 W/3000W/
4000W/5000W(12V/24V/48V) 12

III. PV System Accessories 14

IV. Solar System 17



SF 1600TL/ 2200TL/3000TL



Solar Family™ Series

SolarFamily (Brief in SF) Series provide string inverters with the best invention patented topology globally, also, we can customize, which provide more optical choices for PV power systems.

SF series has been proved to be outstanding for its features like leading edge efficiency, high cost-effective, modern appearance, friendly interface, and ultra-long quality warranty, etc.



Features

- Transformerless with the best patented Topology
- Max. efficiency up to 97.7%
- Single MPPT inputs accommodating wide voltage range
- Compact structure design
- Simple national setting

Flexibility

- Indoors and outdoors usage (IP 65)
- Easy installation and free maintenance
- Sound control
- Bluetooth technology
- Multi-lingual display

Reliability

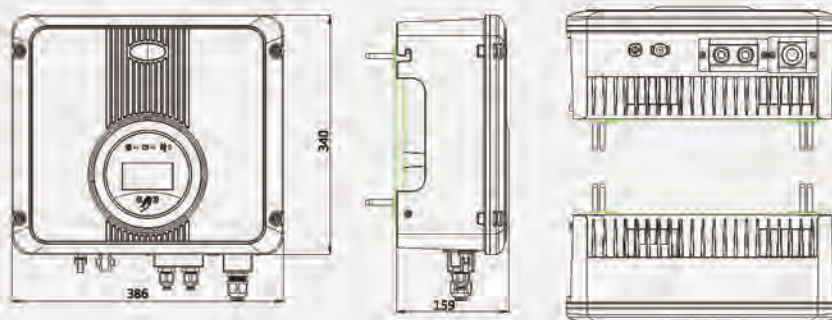
- Reliable protection for over voltage, islanding, short circuit, overload, under voltage and over current, etc.
- 5-year quality warranty extends to 20 years exclusively

Technical Data

Solar Family™ Series

Inverter Model	SF1600TL	SF2200TL	SF3000TL
Input (DC)			
Max. DC power	1700 W	2350 W	3150 W
Max. DC voltage	550 V	550 V	550 V
DC nominal voltage	400 V	400 V	400 V
MPPT voltage range	150-500 V	150-500 V	150-500 V
Max. input current per string(A)	8	10	15
Number of MPP trackers / Strings per MPP tracker	1/1	1/1	1/1
Output (AC)			
AC nominal power	1600 W	2200 W	3000 W
Max. AC apparent power	1650 W	2200 W	3000 W
Nominal AC voltage	220V-240V	220V-240V	220V-240V
AC grid frequency	50Hz/60Hz	50Hz/60Hz	50Hz/60Hz
Max. output current(A)	7.8 A	11 A	14.5 A
Power factor (cos φ)	>0.99	>0.99	>0.99
Harmonics	<3%	<3%	<3%
Efficiency			
Max. efficiency	97.5%	97.7%	97.7%
Euro efficiency	96.8%	96.8%	97.1%
MPPT efficiency	99.9%	99.9%	99.9%
General data			
Dimensions (W / H / D)in mm	386 / 340/ 155 mm	386 / 340/ 155 mm	386 / 340/ 155 mm
Weight	13.6kg	13.9kg	13.9kg
Operating temperature range	-25 °C...+60 °C	-25 °C...+60 °C	-25 °C...+60 °C
Degree of protection (according to IEC 60529)	IP65	IP65	IP65
Climatic category (according to IEC 60721-3-4)	4K4H	4K4H	4K4H
Internal consumption: (night)	<0.5W	<0.5W	<0.5W
Cooling concept	Convection	Convection	Convection
Noise (typical)[dB]	<30	<30	<30
Communication	RS485/Bluetooth	RS485/Bluetooth	RS485/Bluetooth
Warranty: 5/10/20 years	yes / opt. / opt.	yes / opt. / opt.	yes / opt. / opt.
Inverter Model	SF 1600TL	SF 2200TL	SF 3000TL

■ General data





SF 3600TL/4200TL/4600TL



Solar Family™ Series

SolarFamily (Brief in SF) Series provide string inverters with the best invention patented topology globally, also, we can customize, which provide more optional choices for PV powersystems.

SF series has been proved to be outstanding for its features like leading edge efficiency, high cost-effective, modern appearance, friendly interface, and ultra-long quality warranty, etc.



Features

- Transformerless with the best patented Topology
- Max. efficiency up to 97.7%
- Dual MPPT inputs accommodating wide voltage range
- Compact structure design
- Simple national setting

Flexibility

- Indoors and outdoors usage (IP 65)
- Easy installation and free maintenance
- Sound control
- Bluetooth technology
- Multi-lingual display

Reliability

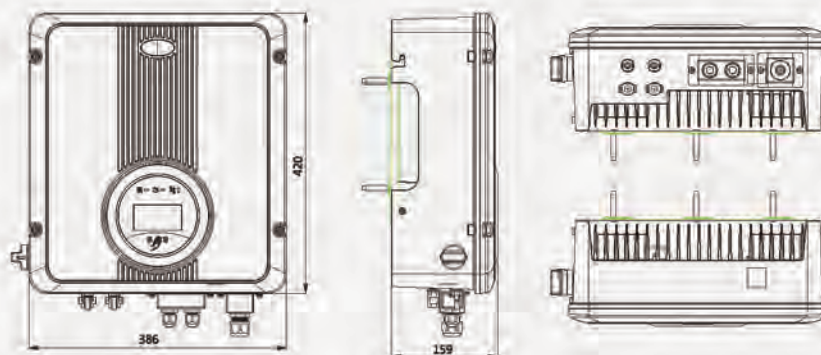
- Reliable protection for over voltage, islanding, short circuit, overload, under voltage and over current, etc.
- 5-year quality warranty extends to 20 years optional

Technical Data

Solar Family™ Series

Inverter Model	SF3600TL	SF4200TL	SF4600TL
Input (DC)			
Max. DC power	3800 W	4400 W	4800 W
Max. DC voltage	550 V	550 V	550 V
DC nominal voltage	400 V	400 V	400 V
MPPT voltage range	150-500 V	150-500V	150-500V
Max. input current per string(A)	15	15	15
Number of MPP trackers / Strings per MPP tracker	2/1	2/1	2/1
Output (AC)			
AC nominal power	3600 W	4200 W	4600 W
Max. AC apparent power	3600 VA	4200 VA	4600 VA
Nominal AC voltage	220V-240V	220V-240V	220V-240V
AC grid frequency	50Hz/60Hz	50Hz/60Hz	50Hz/60Hz
Max. output current(A)	18	21	23
Power factor (cos φ)	>0.99	>0.99	>0.99
Harmonics	<3%	<3%	<3%
Efficiency			
Max. efficiency	97.7%	97.7%	97.7%
Euro efficiency	97.0%	97.1%	97.1%
MPPT efficiency	99.9%	99.9%	99.9%
General data			
Dimensions (W / H / D)in mm	386 / 420/ 155 mm	386 / 420/ 155 mm	386 / 420/ 155 mm
Weight	17.2kg	17.5kg	17.5kg
Operating temperature range	-25°C...+60°C	-25°C...+60°C	-25°C...+60°C
Degree of protection (according to IEC 60529)	IP65	IP65	IP65
Climatic category (according to IEC 60721-3-4)	4K4H	4K4H	4K4H
Internal consumption: (night)	<0.5W	0.5W	0.5W
Cooling concept	Convection	Convection	Convection
Noise (typical)[dB]	<30	<30	<30
Communication	RS485/Bluetooth	RS485/Bluetooth	RS485/Bluetooth
Warranty: 5/10/20 years	yes / opt. / opt.	yes / opt. / opt.	yes / opt. / opt.
Inverter Model	SF 3600TL	SF 4200TL	SF 4600TL

General data





ST 10000TL/12000TL/15000TL /17000TL



Solar Town™ Series

SolarTown (Brief in ST) Series provide string inverters with the best topology globally, also we can customize, which provide more optional choices for PV power systems.

ST series has been proved to be outstanding for its features like leading edge efficiency, high cost-effective, modern appearance, friendly interface, and ultra-long quality warranty, etc.



Features

- Transformerless with the best Topology
- Max. efficiency up to 98.0%
- Dual MPPT inputs accommodating wide voltage range
- Compact structure design
- Simple national setting

Flexibility

- Indoors and outdoors usage (IP 65)
- Easy installation and free maintenance
- Bluetooth technology
- Multi-lingual display

Reliability

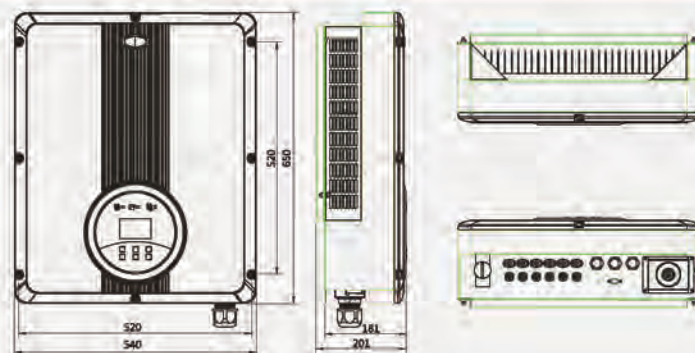
- Reliable protection for over voltage, islanding, short circuit, overload, under voltage and under load, etc.
- 5-year quality warranty extends to 20 years optional

Technical Data

Solar Town™ Series

Inverter Model	ST10000TL	ST12000TL	ST15000TL	ST17000TL
Input (DC)				
Max. DC power	10200 W	12250 W	15340 W	17410 W
Max. DC voltage	1000 V	1000 V	1000 V	1000 V
DC nominal voltage	650 V	650 V	650 V	650 V
MPPT voltage range(at rated power)	400-800 V	400-800 V	400-800 V	400-800 V
Max. input current per string(A)	15/ 15/ 15	17/ 17/ 17	20/ 20/ 20	20/ 20/ 20
Number of MPP trackers / Strings per MPP tracker	2/3	2/3	2/3	2/3
Output (AC)				
AC nominal power	10 KW	12 KW	15 KW	17 KW
Max. AC apparent power	10 KVA	12 KVA	15 KVA	17 KVA
Nominal AC voltage	3/N/PE 230V/400V	3/N/PE 230V/400V	3/N/PE 230V/400V	3/N/PE 230V/400V
AC grid frequency	50Hz/60Hz	50Hz/60Hz	50Hz/60Hz	50Hz/60Hz
Max. output current(A)	16	19	24	25
Power factor (cos φ) adjustable	0.8leading-0.8laging	0.8leading-0.8laging	0.8leading-0.8laging	0.8leading-0.8laging
Harmonics	<3%	<3%	<3%	<3%
Efficiency				
Max. efficiency	98.0%	98.0%	98.0%	98.0%
Euro efficiency	97.5%	97.5%	97.5%	97.5%
MPPT efficiency	99.9%	99.9%	99.9%	99.9%
General data				
Dimensions (W / H / D)in mm	540 / 650/ 252mm	540 / 650/ 252mm	540 / 650/ 252mm	540 / 650/ 252mm
Weight	42kg	42kg	45kg	45kg
Operating temperature range	-25°C...+60°C	-25°C...+60°C	-25°C...+60°C	-25°C...+60°C
Degree of protection (according to IEC 60529)	IP65	IP65	IP65	IP65
Climatic category (according to IEC 60721-3-4)	4K4H	4K4H	4K4H	4K4H
Internal consumption: (night)	<1W	<1W	<1W	<1W
Cooling concept	Fans	Fans	Fans	Fans
Display	LCD	LCD	LCD	LCD
Humidity	0-95%,no condensation			
Communication	RS485/RS232/USB/Bluetooth			
Warranty: 5/10/20 years	yes / opt. / opt.	yes / opt. / opt.	yes / opt. / opt.	yes / opt. / opt.
Inverter Model	ST 10000TL	ST 12000TL	ST 15000TL	ST 17000TL

General data



SC100KT



SolarCity™ Series

Technical features	MEGACosmic -SGI-100KT
Input Ratings	
Max. DC input power	115 kWp
Vmax. PV	900 Vdc
Max. input current	250 A
MPPT Voltage Range (Rate Power)	450 ~ 820 Vdc
Start PV Voltage	470 Vdc
Output Ratings	
Rated Output Grid Voltage (Vac)	400 Vac
Rated Output AC power (kW)	100 kW
Rated Output Frequency (Hz)	50 Hz
Max Output Current (A)	158 A
Operating Frequency Range	47.55 ~ 51.45 Hz
THD (Rated Power)	<2 %
Power Factor	<0.99%
Isolation Type	Transformer
Efficiency	
Maximum efficiency	96.7%
European efficiency	96.3%
System & Mechanical Features	
Operating Temperature Range	-20 ~ +55°C
Max Altitude	3,000 m
Enclosure Protection	IP20 (Indoor)
Communication / Option	RS485 / Ethernet
Display	7' Color Touch Screen
Cooling Mode	Air cooled
Dimensions (W x H x D)	1000 x 2100 x 800 mm
Weight	900 kg
Standard Warranty	5 years

Features

- High speed digital DSP + CPLD control technology
- Advanced IGBT modules, high reliability
- Maximum power point tracking (MPPT) efficiency >99.9%
- Pure sine wave output, automatic synchronization grid, little harmony wave
- Easy-setting multilingual LCD display panel
- High reliability with full functions of protection & alarm
- RS485 / Ethernet communication, long-distance data collection & monitor
- Low voltage ride through
- Power plant, Substation, Telecommunication room
- Max.Input voltage: 1000v
- Government demonstration project



SC250KTL



SolarCity™ Series

Technical features	MEGACosmic -SGI-250KTL
Input Ratings	
Max. DC input power	275 kWp
Vmax. PV	900 Vdc
Max. input current	625 A
MPPT Voltage Range (Rate Power)	450 ~ 820 Vdc
Start PV Voltage	420 Vdc
Output Ratings	
Rated Output Grid Voltage (Vac)	3~270 Vac
Rated Output AC power (kW)	250 kW
Rated Output Frequency (Hz)	50 Hz
Max Output Current (A)	590 A
Operating Frequency Range	47.55 ~ 51.45 Hz
THD (Rated Power)	<2 %
Power Factor	<0.99%
Isolation Type	Transformerless
Efficiency	
Maximum efficiency	98%
European efficiency	97.3%
System & Mechanical Features	
Operating Temperature Range	-20 ~ +55°C
Max Altitude	2,000 m
Enclosure Protection	IP20 (Indoor)
Communication / Option	RS485 / Ethernet
Display	7" Color Touch Screen
Cooling Mode	Air cooled
Dimensions (W x H x D)	1000 x 2100 x 800 mm
Weight	1300 kg
Standard Warranty	5 years

Features

- High speed digital DSP + CPLD control technology
- Advanced IGBT modules, high reliability
- Maximum power point tracking (MPPT) efficiency >99.9%
- Pure sine wave output, automatic synchronization grid, little harmony wave
- Easy-setting multilingual LCD display panel
- High reliability with full functions of protection & alarm
- RS485 / Ethernet communication, long-distance data collection & monitor
- Low voltage ride through
- Power plant, Substation, Telecommunication room
- Max.Input voltage: 1000v
- Government demonstration project



SC500KTL



SolarCity™ Series

Technical features	MEGACosmic -SGI-100KTL
Input Ratings	
Max. DC input power	550 kWp
Vmax. PV	1000 Vdc
Max. input current	1250 A
MPPT Voltage Range (Rate Power)	450 ~ 820 Vdc
Start PV Voltage	420 Vdc
Output Ratings	
Rated Output Grid Voltage (Vac)	3 ~270 Vac
Rated Output AC power (kW)	500 kW
Rated Output Frequency (Hz)	50 Hz
Max Output Current (A)	1176A
Operating Frequency Range	47.55 ~ 51.45 Hz
THD (Rated Power)	<2 %
Efficiency	
Maximum efficiency	98.71%
European efficiency	98.20%
Standby Power Consumption (W)	<100W
System & Mechanical Features	
Enclosure Protection	IP20 (Indoor)
Communication / Option	RS485 / Ethernet
Display	7' Color Touch Screen
Cooling Mode	Air cooled
Dimensions (W x H x D)	2000 x 2100 x 800 mm
Weight	1700 kg
Compliance with Standards	VDE-0126-1-1 / EN 50178 / G83/1 / DK 5940 Ed.2.2 / CEI-0-16 / RD661

Features

- High speed digital DSP + CPLD control
- Advanced IGBT modules, high reliability
- MPPT efficiency >99.9%
- Max. efficiency 98.7%
- Touch screen color display panel
- High reliability with full functions of protection & alarm
- Rs485 / Ethernet communication, long-distance data collection & monitor
- Low voltage ride through
- Power plant, Substation
- Max. Input voltage: 1000v
- Government demonstration project



SO 500/1000/2000/3000/4000/5000



Off-grid PV Inverters

Features:

- Pure sine wave output, safe and reliable, high conversion efficiency
- Multiple protection circuit for low voltage, over voltage, overload, short-circuit, overheat, etc.
- Digital working status display
- Built-in cooling fans
- Anodized aluminum case provides durability and max heat dissipation
- Wide application for various fields like communication, industry equipment, military vehicle, medical ambulance, solar and wind generating etc.



Model	SO 12-500	SO 12-1000
Rated Power	500W	1000W
Peak Power	1000W	2000W
DC Input Volt.	12V	12V
AC Output Volt.	220VAC	220VAC
AC Output Frequency	50Hz	50Hz
AC Output Waveform	Pure Sine Wave	Pure Sine Wave
Waveform Distortion	THD<3% (Linear Load)	THD<3% (Linear Load)
Efficiency	>85%	>85%
DC Input Volt. Range	10.5-15V	10.5-15V
Low Volt. Alarm	10.5±0.3V	10.5±0.3V
Low Volt. Shutdown	10±0.3V	10±0.3V
Over Volt. Protection	15.5±0.5V	15.5±0.5V
Low Volt. Recovery	12±0.5V	12±0.5V
Over Volt. Recovery	14.8V	14.8V
Working Temp.	-20~45℃	-20~45℃
Dimension	250*169*61.5mm	315*123*70mm
Weight	1.8Kg	3.2Kg

Model	SO 24-1000	SO 24-2000	SO 24-3000	SO 24-4000	SO 24-5000
Rated Power	1000W	2000W	3000W	4000W	5000W
Peak Power	2000W	4000W	6000W	8000W	10000W
DC Input Volt.	24V	24V	24V	24V	24V
AC Output Volt.	220VAC	220VAC	220VAC	220VAC	220VAC
No-load Curr.	0.35A	0.5A	0.6A	0.75A	0.8A
AC Output Frequency	50Hz	50Hz	50Hz	50Hz	50Hz
AC Output Waveform	Pure Sine Wave	Pure Sine Wave	Pure Sine Wave	Pure Sine Wave	Pure Sine Wave
Waveform Distortion	THD<3% (Linear Load)	THD<3% (Linear Load)	THD<3% (Linear Load)	THD<3% (Linear Load)	THD<3% (Linear Load)
Efficiency	>88%	>88%	>88%	>88%	>88%
DC Input Volt. Range	21-30V	21-30V	21-30V	21-30V	21-30V
Low Volt. Alarm	21±0.3V	21±0.3V	21±0.3V	21±0.3V	21±0.3V
Low Volt. Shutdown	20±0.3V	20±0.3V	20±0.3V	20±0.3V	20±0.3V
Over Volt. Protection	31±1V	31±1V	31±1V	31±1V	31±1V
Low Volt. Recovery	24±1V	24±1V	24±1V	24±1V	24±1V
Over Volt. Recovery	29.5V	29.5V	29.5V	29.5V	29.5V
Working Temp.	-20~45℃	-20~45℃	-20~45℃	-20~45℃	-20~45℃
Dimension	315*123*70mm	435*200*80mm	395*200*148mm	435*200*148mm	545*200*148mm
Weight	3.2Kg	6.1Kg	9Kg	10.5Kg	12Kg

Model	SO 48-1000	SO 48-2000	SO 48-3000	SO 48-4000	SO 48-5000
Rated Power	1000W	2000W	3000W	4000W	5000W
Peak Power	2000W	4000W	6000W	8000W	10000W
DC Input Volt.	48V	48V	48V	48V	48V
AC Output Volt.	220VAC	220VAC	220VAC	220VAC	220VAC
No-load Curr.	0.17A	0.25A	0.3A	0.4A	0.4A
AC Output Frequency	50Hz	50Hz	50Hz	50Hz	50Hz
AC Output Waveform	Pure Sine Wave	Pure Sine Wave	Pure Sine Wave	Pure Sine Wave	Pure Sine Wave
Waveform Distortion	THD<3% (Linear Load)	THD<3% (Linear Load)	THD<3% (Linear Load)	THD<3% (Linear Load)	THD<3% (Linear Load)
Efficiency	90%	90%	90%	90%	90%
DC Input Volt. Range	42-60V	42-60V	42-60V	42-60V	42-60V
Low Volt. Alarm	42±0.3V	42±0.3V	42±0.3V	42±0.3V	42±0.3V
Low Volt. Shutdown	40±0.3V	40±0.3V	40±0.3V	40±0.3V	40±0.3V
Over Volt. Protection	62±2V	62±2V	62±2V	62±2V	62±2V
Low Volt. Recovery	48±1V	48±1V	48±1V	48±1V	48±1V
Over Volt. Recovery	59V	59V	59V	59V	59V
Working Temp.	-20~45℃	-20~45℃	-20~45℃	-20~45℃	-20~45℃
Dimension	315*123*70mm	435*200*80mm	395*200*148mm	435*200*148mm	545*200*148mm
Weight	3.2Kg	6.1Kg	9Kg	10.5Kg	12Kg

PV System Accessories

B&B Power has dedicated to providing the best, most sophisticated and cost-effective PV monitoring software and hardware products in the industry. Users are able to monitor their PV systems effectively in the long term via B&B monitoring system. Featured with simple and easy operation and powerful and comprehensive service platform, we enable users to monitor PV systems anytime and anywhere, with minimized time and costs.

■ B&B Webbox

B&B Webbox are designed for PV inverters, enabling the long-term and effective monitoring of PV systems by collecting data, such as operating status and power generation, from inverters.

Features:

- Have a multi-functional and high-performance communication data logger
- Keep user informed of the system's status at any time
- Collects data and uploads information over the internet in near real-time to B&B Server platform
- Provides massive storage with flexible parameters setting, system information management, error prompt and record
- Can be connected with internet through WiFi or Ethernet Rj45

■ B&B Bluetooth Box

Features:

- Enhanced Data Rate (EDR) compliant for both 2Mbps and 3Mbps modulation modes
- Bluetooth V2.0+EDR system
- Frequency band 2.40GHz-2.48GHz
- Communication distance up to 1.8Km under no obstacle condition

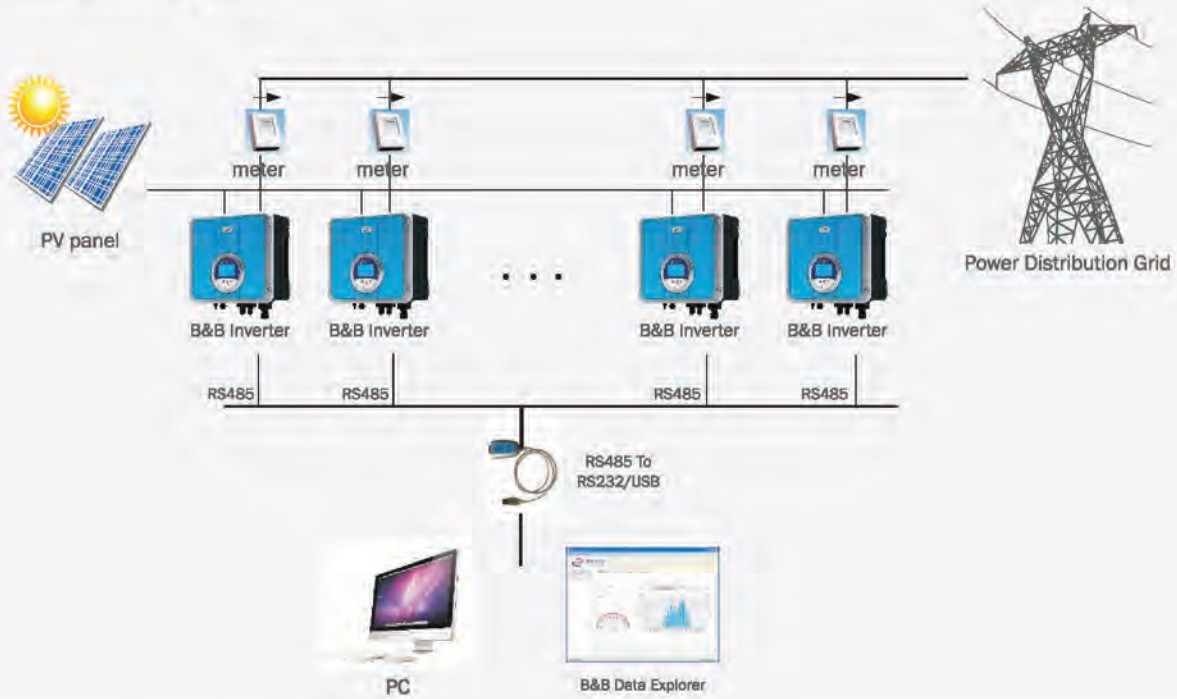


B&B Inverter Monitoring Solution

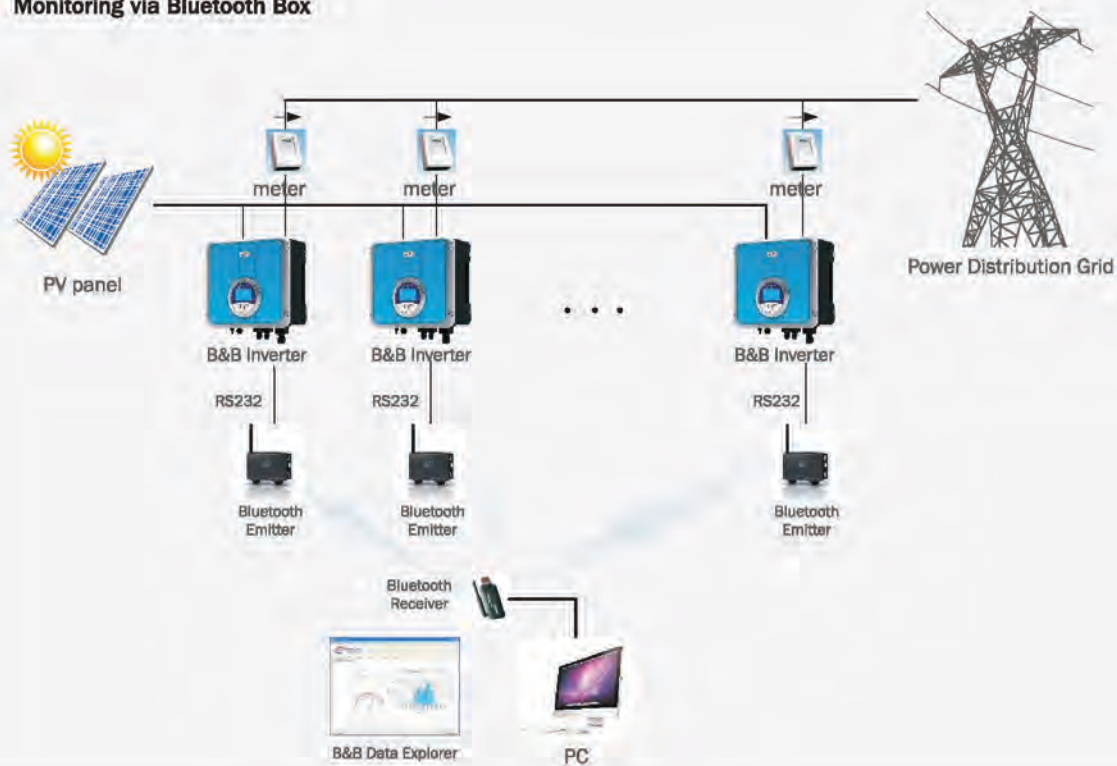
B&B Power PV monitoring system can be widely used in a variety of PV system, from residential systems to a large utility-scale systems. The whole system can be easily monitored and managed with simple operations.

Clearly identify the efficiency and earnings of PV systems by records and analysis of historical and real-time data.

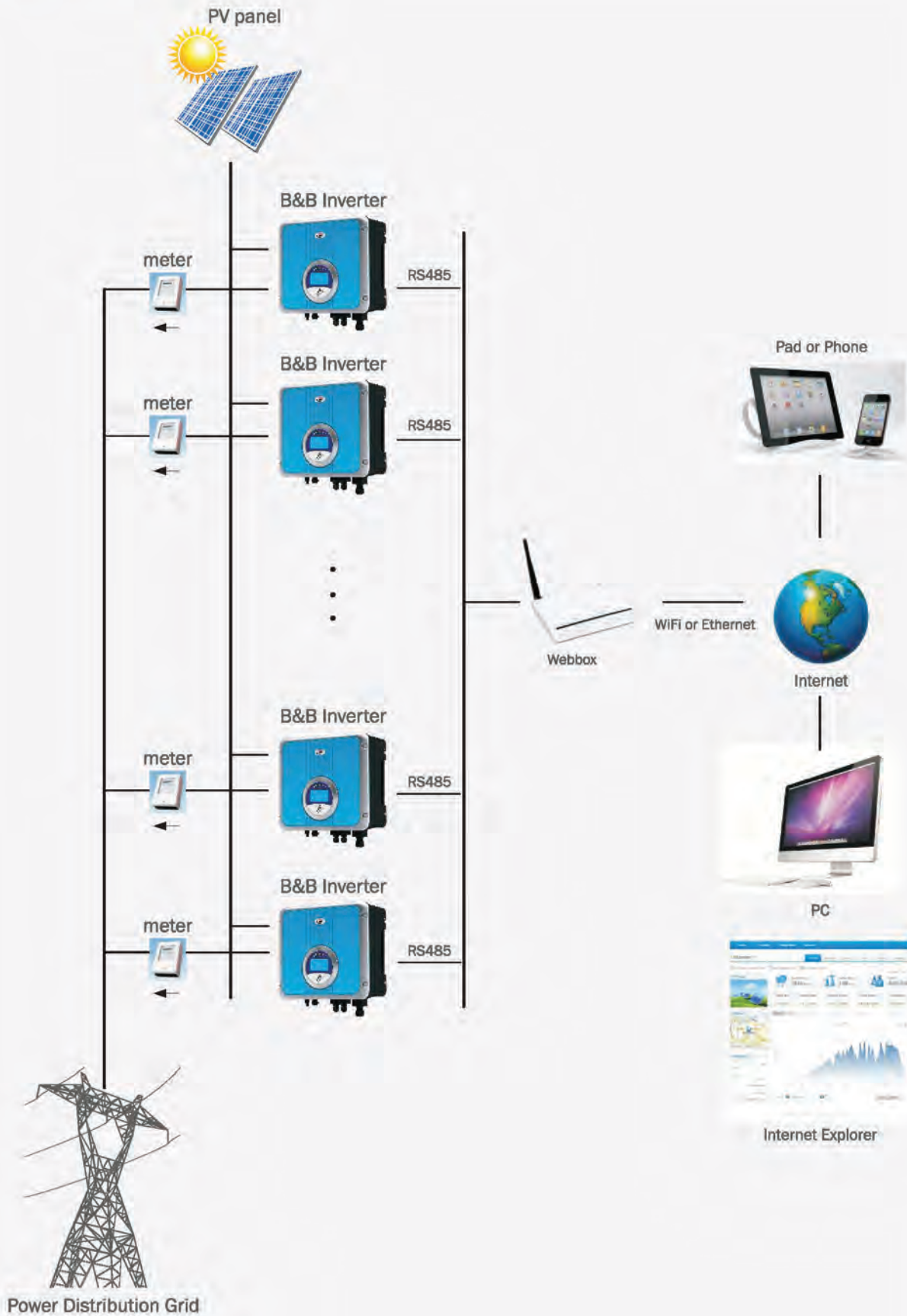
Basic monitoring solution



Monitoring via Bluetooth Box



■ Monitoring via B&B Webbox



PV System Solutions

■ Grid-connected solar power system



Application :

- Suitable for areas where have available power grid source, like houses, schools, and commercial offices.

Features:

- Family and home style solar power system, ranged from 1.5KW to 17KW in capacity. All of B&B Power inverters can be adopted.
- The solar power can be consumed directly or feed back to the power grid.
- Highly advanced communication method, and you can use your mobile device to monitor the working status of your power system.
- Supply total clean energy, decreasing the discharge of greenhouse gas.
- FIT policy, the "Feed-in Tariff ",ensures that the installer can collect back the investment in a few years and leave the power bill behind forever.

■ Combined solar power system



Application :

- Combination of grid tied and stand-alone solar power system, capable of supplying power in both day and night time.
- Suitable for almost all areas with power grid connected, especially for small size hospital and workshop, and other places where may need power of 24 hours, we also highly suggest a usage in countryside renewable power station.

Features:

- It's a joint power generator, consisting of both B&B grid tied solar inverter and off-grid inverter. The remains of solar power can be stored into battery for backup power source usage.
- Auto-detection device in this B&B by-pass off-grid inverter can make the battery stay in charging status until fully charged while the sunshine is rich. And in the night time, you can use the power that stored in the battery.
- Highly advanced communication method, and you can use your mobile device to monitor the working status of your power system.
- Supply total clean energy, decreasing the discharge of greenhouse gas.
- FIT policy, the "Feed-in Tariff", ensures that the installer can collect back the investment in a few years and leave the power bill behind forever.

Sales Network

■ International Sales Network Distribution



360° stereo service concept

■ 360° stereo service concept.

B&B Power's global customer service system is comprised of two levels of service architectures: Headquarter Global Technical Service Team and Local Technical Service Team(TST).

The global TST, located at Shenzhen, China, provides full support in 7*24 hours to all the local TST, who are in direct contact with our valuable customers.

The global TST is responsible for liaising directly with the R&D Department at Headquarter who is to provide in depth problem-solving solutions.



Pre-sales:

- Custom: environmentally analyzable and tailored
- Marketing support: market research, exhibitions and other activities to achieve a win-win situation

On-sales:

- Excellent sales and service team 24 hours stand-by from production to end users applications
- Technical service: installation and commissioning, system diagnostics, product maintenance, hardware and software upgrades

After-sales:

- Service modes of 7*24 hours a day
- Establishment and maintenance of global service network



Drive the Future

B&B Power Co.,Ltd

Address: 3 Floor, B Block, JunXiangDa Building,
No.9 Zhongshan Park Rd. Nanshan District, Shenzhen, China

Tel: +86 0755- 8656 7103

Fax: +86 0755- 8656 7102

Email: CSO@bbpower.cn

Website: www.bbpower.cn

